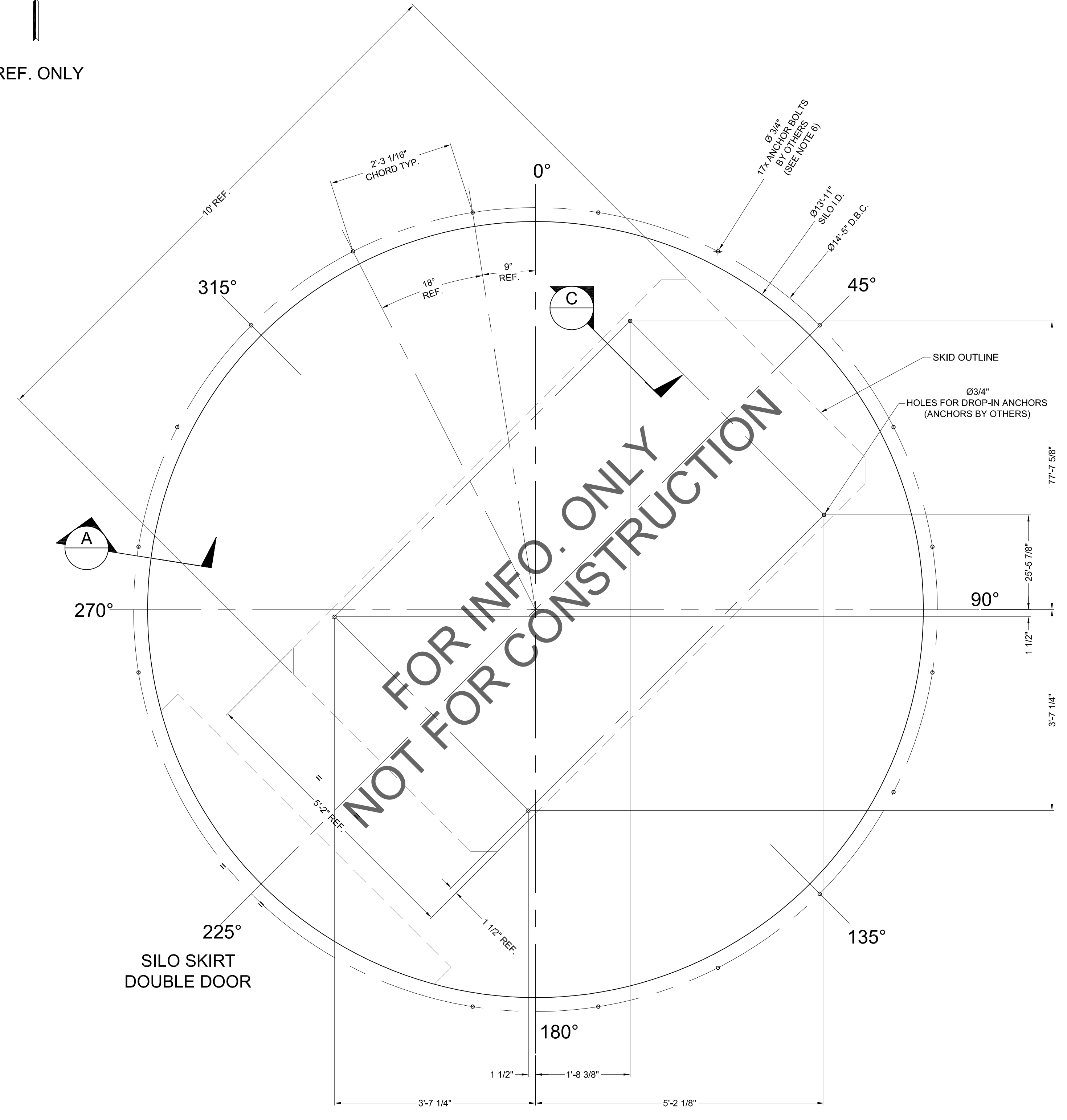
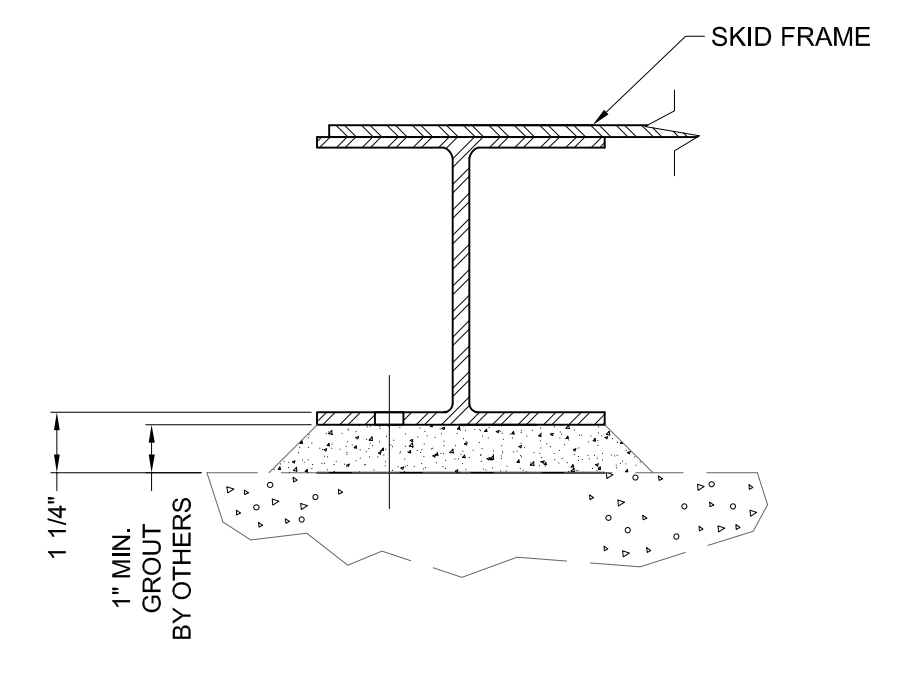


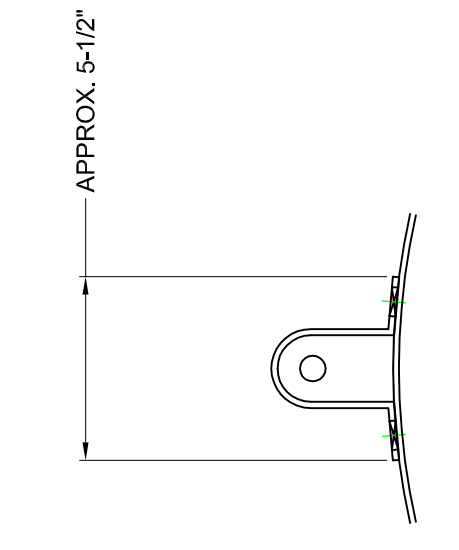
REF. ONLY



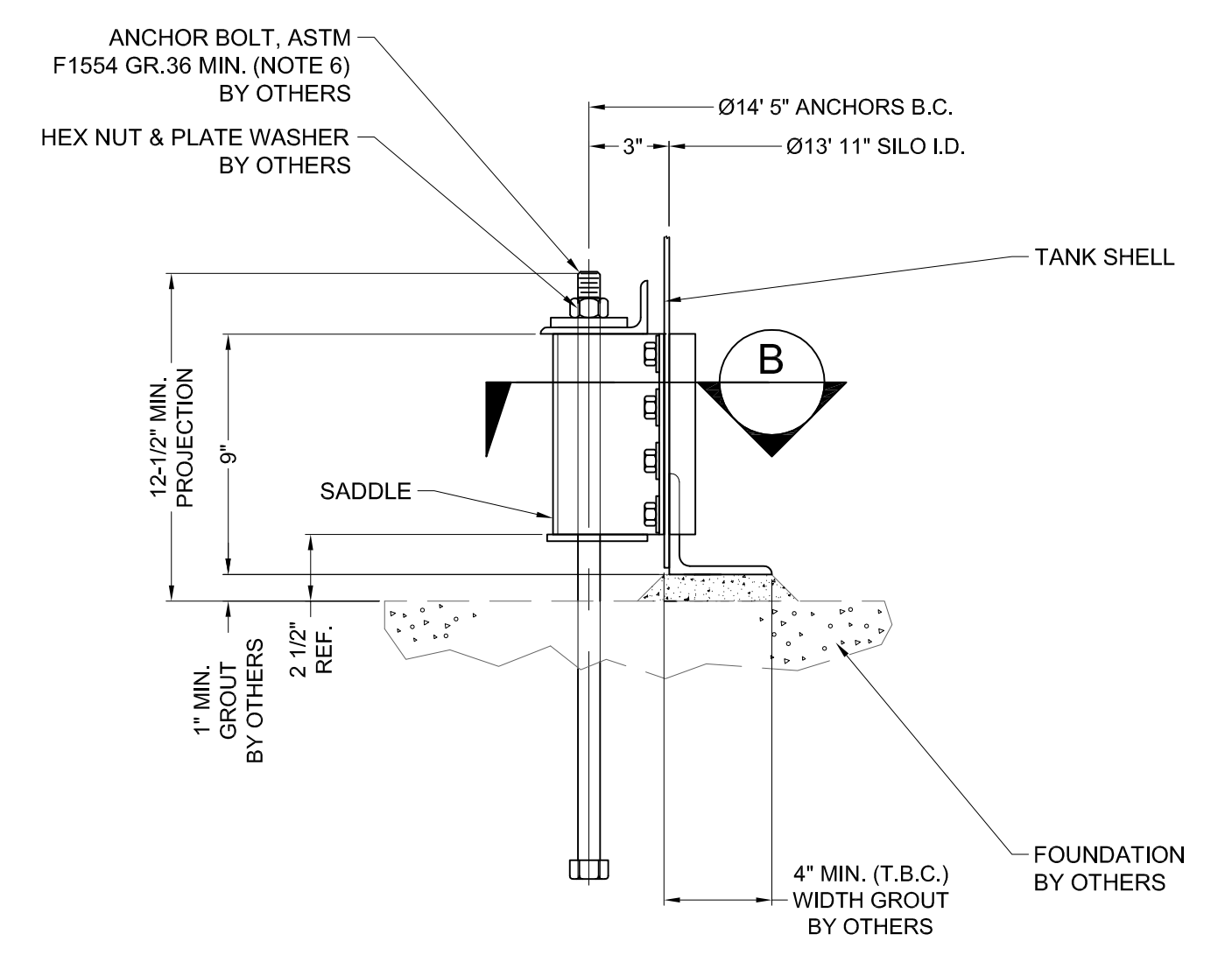
ANCHOR BOLT PLAN



SECTION C
SCALE: NTS



SECTION B
SCALE: NTS



SECTION A
SCALE: NTS

- NOTES
- FOUNDATION, GROUT, ANCHOR BOLTS AND NUTS ARE BY OTHERS.
 - FOUNDATION TO BE LEVEL $\pm 1/8"$ IN ANY 30' CIRCUMFERENCE AND $\pm 1/8"$ FROM A PLANE ON THE TOTAL CIRCUMFERENCE.
 - ANCHOR BOLTS TO STRADDLE MAJOR CL'S UNLESS NOTED.
 - ALL DIMENSIONS ARE IN INCHES, UNLESS NOTED OTHERWISE.
 - REFER TO DESIGN CALCULATIONS FOR LOADS AT FOUNDATION.
 - BOLT SIZE GRADE IS RECOMMENDED MINIMUM. FINAL SIZE AND GRADE TO BE DETERMINED / PROVIDED BY OTHERS.

DESIGN CRITERIA	
SEISMIC	SITE CLASS D, DESIGN CATEGORY C, $I_e = 1.0$
WIND	VELOCITY = 115 mph, Exposure C
SNOW	GROUND SNOW LOAD = 20 lb/ft ² , $I_s = 1.0$
FOUNDATION LOADS (NOT TO EXCEED)	
DEAD LOAD	23 kips
PRODUCT LOAD	123 kips
EQUIPMENT LOAD	1.0 kips
SNOW LOAD	3.1 kips
WIND	BASE SHEAR / OTM : (TO BE DETERMINED)
SEISMIC	BASE SHEAR / OTM : (TO BE DETERMINED)

NOT FOR CONSTRUCTION

CAST-IN-PLACE ANCHOR BOLT TOLERANCE	
PROJECTION	± 6 mm
POSITIONING	6mm
PLUMBNESS	3° FROM VERTICAL

REF. ACI 308

REFERENCE DRAWINGS

REV	DATE	BY	CHK	ENG	APP	DESCRIPTION
A	2016-04-25	CN	-	-	-	FOR INFORMATION ONLY

STT ENVIRO CORP
THIS DRAWING IS THE PROPERTY OF AND CONTAINS CONFIDENTIAL PROPRIETARY INFORMATION OF STT ENVIRO CORP. IT MAY NOT BE COPIED, REPRODUCED OR USED IN WHOLE OR IN PART WITHOUT THE PERMISSION OF STT ENVIRO CORP. USE OF THIS DRAWING IS PERMITTED ONLY FOR THE SPECIFIC PURPOSE FOR WHICH IT WAS ISSUED BY STT ENVIRO CORP.

PROJECT
**STT ENVIRO CORP
 ECO-TUBE**

TITLE
**FOUNDATION LAYOUT & ANCHOR DETAILS
 DRY CHEMICAL STORAGE
 AND MAKEDOWN SYSTEM**

SIZE	PROJECT	DRAWING NO.	REV.
D	R001	R001-1-CS-FD-001-1	A

- DO NOT SCALE -
 USE DIMENSIONS ONLY

SCALE 1:15 DWG. STATUS ISSUED FOR INFORMATION